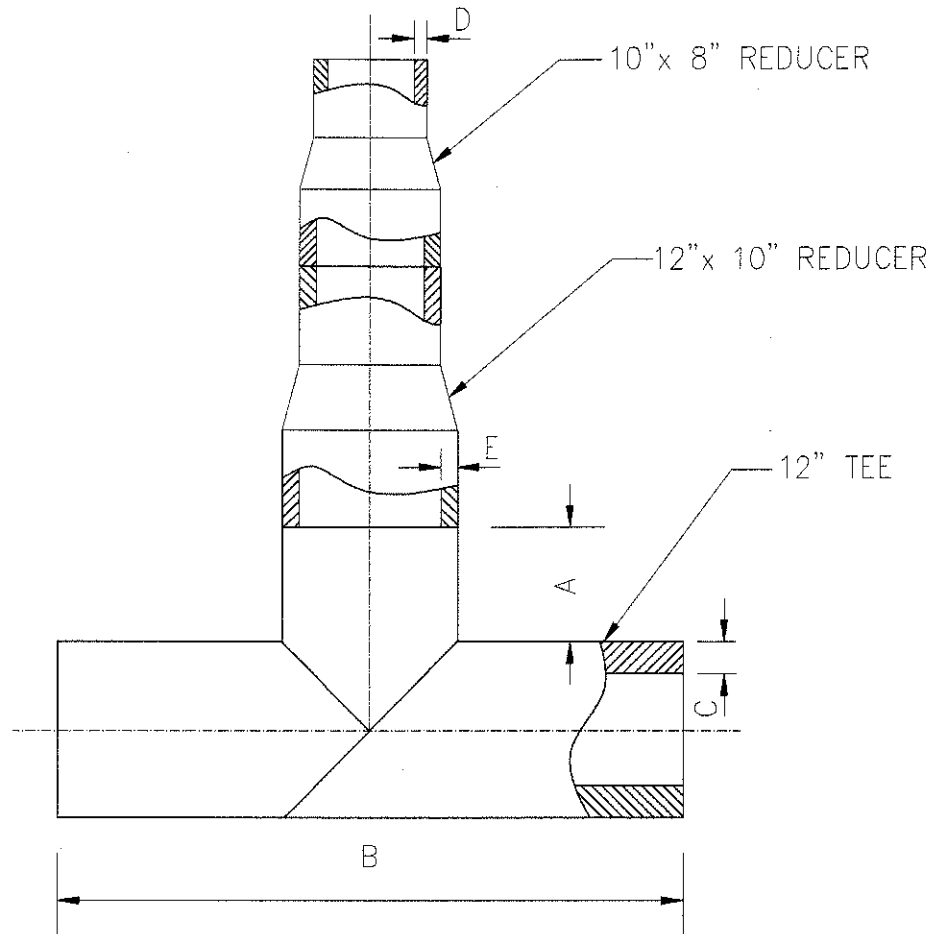


DIMENSIONAL DATA

SIZE IPS	TRUE O.D.	A	B	C MIN. WALL	D MIN. WALL	E MIN. WALL
12x8	12.75	9.50	30.00	1.41	.78	1.16



NOTES

- TOLERANCES +/- 5.0° FOR DIMENSION "A" & "B" ONLY.
- ANGLE TOLERANCES +/- 2.0°.
- CLASS 150 - SDR.11 RATED.
- REF. "C, D, & E" MINIMUM WALL THICKNESS.
- USE SDR.9 PIPE, SDR.11 REDUCERS.
- ENDS COUNTERBORED IF REQUESTED.
- USE APPROVED VENDORS.
 - WI
 - INDEPENDENT PIPE
- FOLLOW SECOR FUSION PROCEDURES.
- FOLLOW SECOR QUALITY PROCEDURES.
- NOTIFY FM APPROVALS OF CHANGES.
- CUSTOM DESIGN AVAILABLE.

SECOR

17321 GROESBEKE ROAD HOUSTON, TX. 77064
 PH. # 281-556-1661 FAX# 281-556-1683

12 x 8 REDUCING TEE
 CLASS 150

DATE:	DRAWN BY:	CHECKED BY:	DWG. NO.	REV.
6/19/10	CRAIG STEVENS	DAVID NIX	SEC-513-12/8-150	A

CUSTOM LENGTH "A": _____ CUSTOM LENGTH "B": _____

CONFIDENTIAL NOTICE / CONTROLLED DOCUMENT

Dissemination of this information contained herein is prohibited