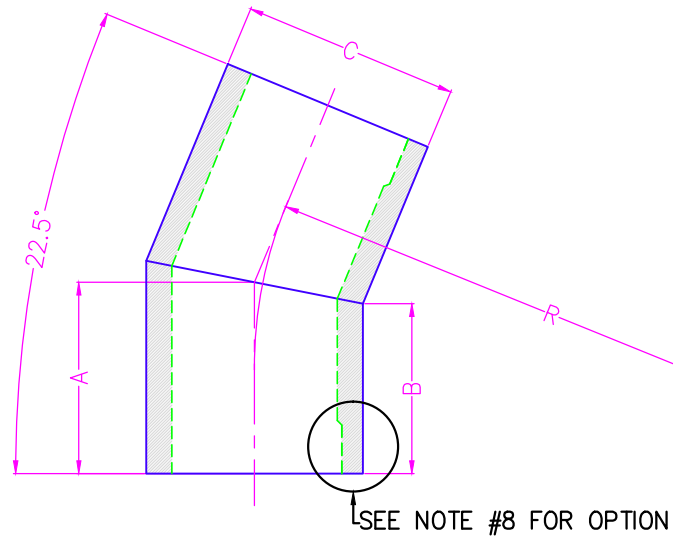


NOMINAL SIZE	MADE FROM SDR	APPROXIMATE DIMENSIONS / WEIGHT				
		WPR	A	B	C	LBS
4	7	252	5 1/2	5	4.5	3.4
	9	200				2.7
	11	160				2.3
	17	100				1.5
6	7	252	7 1/4	6 1/2	6.625	9.4
	9	200				7.6
	11	160				6.4
	17	100				4.3
8	7	252	7 1/2	6 1/2	8.625	16.5
	9	200				13.3
	11	160				11.1
	17	100				7.4
10	7	252	8	7	10.75	27.3
	9	200				22.0
	11	160				18.4
	17	100				12.3
12	7	252	9 1/4	8	12.75	44.0
	9	200				35.5
	11	160				29.7
	17	100				19.9
14	7	252	9 1/10	8 1/2	14	52.2
	9	200				42.1
	11	160				35.2
	17	100				23.6
16	7	252	10 1/2	9	16	78.2
	9	200				63.0
	11	160				52.8
	17	100				35.3
18	7	252	11 1/4	9 1/2	18	105.6
	9	200				85.2
	11	160				71.3
	17	100				47.8
20	7	252	11 1/2	9 1/2	20	133.2
	9	200				107.4
	11	160				89.9
	17	100				60.2
22	7	252	13 3/4	11 1/2	22	191.4
	9	200				154.4
	11	160				129.2
	17	100				86.5
24	7	252	14	11 1/2	24	231.8
	9	200				187.0
	11	160				156.4
	17	100				104.8

- NOTES**
1. TOLERANCES +/- 2".
 2. ANGLE TOLERANCES +/- 2.0'.
 3. MADE FROM HDPE SIZE SPECIFIC PIPE.
 4. FOLLOW INDUSTRY STANDARD FUSION PROCEDURES.
 5. FOLLOW INDUSTRY STANDARD QUALITY PROCEDURES.
 6. CUSTOM DESIGN AVAILABLE.
 7. IF SPECIFIC RADIUS NEEDED, PLEASE CALL.
 8. ENDS MAY BE COUNTERBORED TO MATCH PIPE SDR UPON REQUEST
 9. LARGER SIZES AVAILABLE UPON REQUEST.
 10. FOR FULL PRESSURE RATED FITTINGS, SEE FULL FLOW SECTION.



CONFIDENTIAL NOTICE / CONTROLLED DOCUMENT

Dissemination of this information contained herein is prohibited

SECOR				
17321 GROESCHKE ROAD HOUSTON, TX. 77084 PH. # 281-556-1661 FAX# 281-556-1683				
22.5° ELL DIMENSIONAL DATA FABRICATED BY SECOR				
DATE:	DRAWN BY:	CHECKED BY:	DWG. NO.	REV.
5/08/14	PATRICK O'GRADY			A