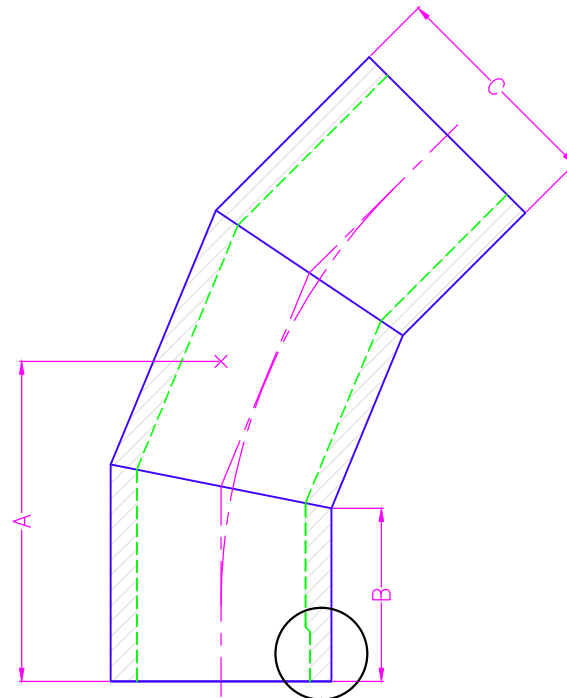


NOMINAL SIZE	MADE FROM SDR	APPROXIMATE DIMENSIONS / WEIGHT				
		WPR	A	B	C	LBS
		7	252	8 1/2	5	4.5
9	200	4.1				
11	160	3.4				
17	100	2.3				
7	252	11 1/4	6 1/2	6.625	14.3	
9	200				11.5	
11	160				9.7	
17	100				6.5	
7	252	11 3/4	6 1/2	8.625	25.3	
9	200				20.4	
11	160				17.1	
17	100				11.4	
7	252	13	7	10.75	43.3	
9	200				34.9	
11	160				29.2	
17	100				19.6	
7	252	15	8	12.75	69.9	
9	200				56.4	
11	160				47.2	
17	100				31.6	
7	252	16	8 1/2	14	89.7	
9	200				72.4	
11	160				60.6	
17	100				40.6	
7	252	17 1/4	9	16	126.1	
9	200				101.7	
11	160				85.1	
17	100				57.0	
7	252	18 1/2	9 1/2	18	170.8	
9	200				137.8	
11	160				115.3	
17	100				77.3	
7	252	19	9 1/2	20	216.4	
9	200				174.6	
11	160				146.1	
17	100				97.8	
7	252	22 1/4	11 1/2	22	305.6	
9	200				246.4	
11	160				206.2	
17	100				138.1	
7	252	22 3/4	11 1/2	24	371.7	
9	200				299.8	
11	160				250.8	
17	100				168.1	

REVISION HISTORY			
REV	DESCRIPTION	DATE	NAME

- NOTES**
- TOLERANCES +/- 2".
 - ANGLE TOLERANCES +/- 2.0°.
 - MADE FROM HDPE SIZE SPECIFIC PIPE.
 - FOLLOW INDUSTRY STANDARD FUSION PROCEDURES.
 - FOLLOW INDUSTRY STANDARD QUALITY PROCEDURES.
 - CUSTOM DESIGN AVAILABLE.
 - IF SPECIFIC DIMENSIONS NEEDED, PLEASE CALL.
 - LARGER SIZES AVAILABLE UPON REQUEST.
 - WPR BASED ON PE 4710 FOR WATER AT 73° F.
 - ENDS COUNTERBORED UPON REQUEST.
- CONFIDENTIAL NOTICE / CONTROLLED DOCUMENT**
- *Dissemination of this information contained herein is prohibited*



SEE NOTE #10 FOR OPTION

<h1>SECOR</h1>	TITLE: 45° 3SEG ELL DIMENSIONAL DATA FABRICATED BY SECOR				
	17321 GROESCHKE ROAD HOUSTON, TX. 77084 PH. # 281-556-1661 FAX# 281-556-1683	DATE: 3/24/15	DRAWN BY: PATRICK O'GRADY	CHECKED BY:	DWG. NO.