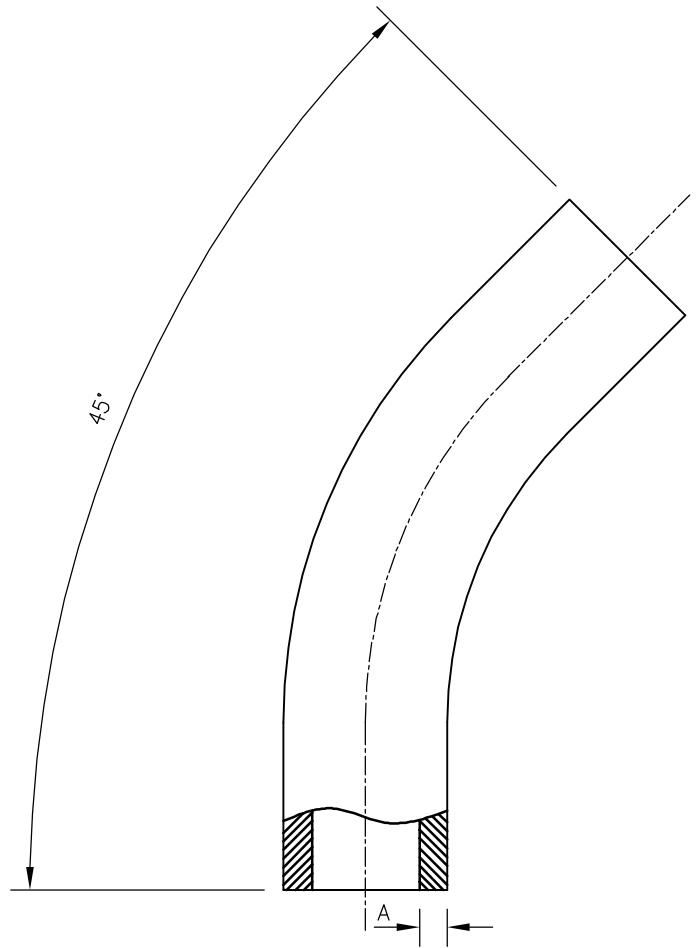


DIMENSIONAL DATA

SIZE IPS	TRUE O.D.	A MIN. WALL
2	2.375	.26
3	3.50	.38
4	4.50	.50
6	6.625	.73
8	8.625	.95
10	10.75	1.19
12	12.75	1.41
14	14.00	1.55



NOTES

1. TOLERANCES +/- 2.0".
2. ANGLE TOLERANCES +/- 2.0".
3. CLASS 200.
4. USE SDR.9 PIPE
4. REF. "A" MINIMUM WALL THICKNESS.
5. APPROVED VENDORS.
 - PIPESTAR
 - WL PLASTICS
 - INDEPENDENT PIPE
 - POLY PIPE
6. FOLLOW SECOR QUALITY PROCEDURES.
7. NOTIFY FM APPROVALS OF CHANGES.
8. CUSTOM DESIGN AVAILABLE.

SECOR

17321 GROESCHKE ROAD HOUSTON, TX. 77084
 PH. # 281-556-1661 FAX# 281-556-1683

**45° SWEEP ELBOWS
 CLASS 200**

CONFIDENTIAL NOTICE / CONTROLLED DOCUMENT

Dissemination of this information contained herein is prohibited

	DRAWN BY:	CHECKED BY:	DWG. NO.	REV.
3/6/10	CRAIG STEVENS	DAVID NIX	SEC-511-SWEEP-200	C