

### DIMENSIONAL DATA

SIZE IPS	A TRUE O.D.	B	C	D
2	6.00	2.50	.75	4
3	7.50	3.63	.94	4
4	9.00	4.63	.94	8
6	11.00	6.75	1.00	8
8	13.50	8.75	1.13	8
10	16.00	10.94	1.19	12
12	19.00	13.00	1.50	12
14	21.00	14.38	1.63	12
16	23.50	16.38	1.84	16
18	25.00	18.38	2.00	16
20	27.50	20.38	2.23	20
22	29.50	22.38	2.41	20
24	32.00	24.38	2.56	20

### NOTES

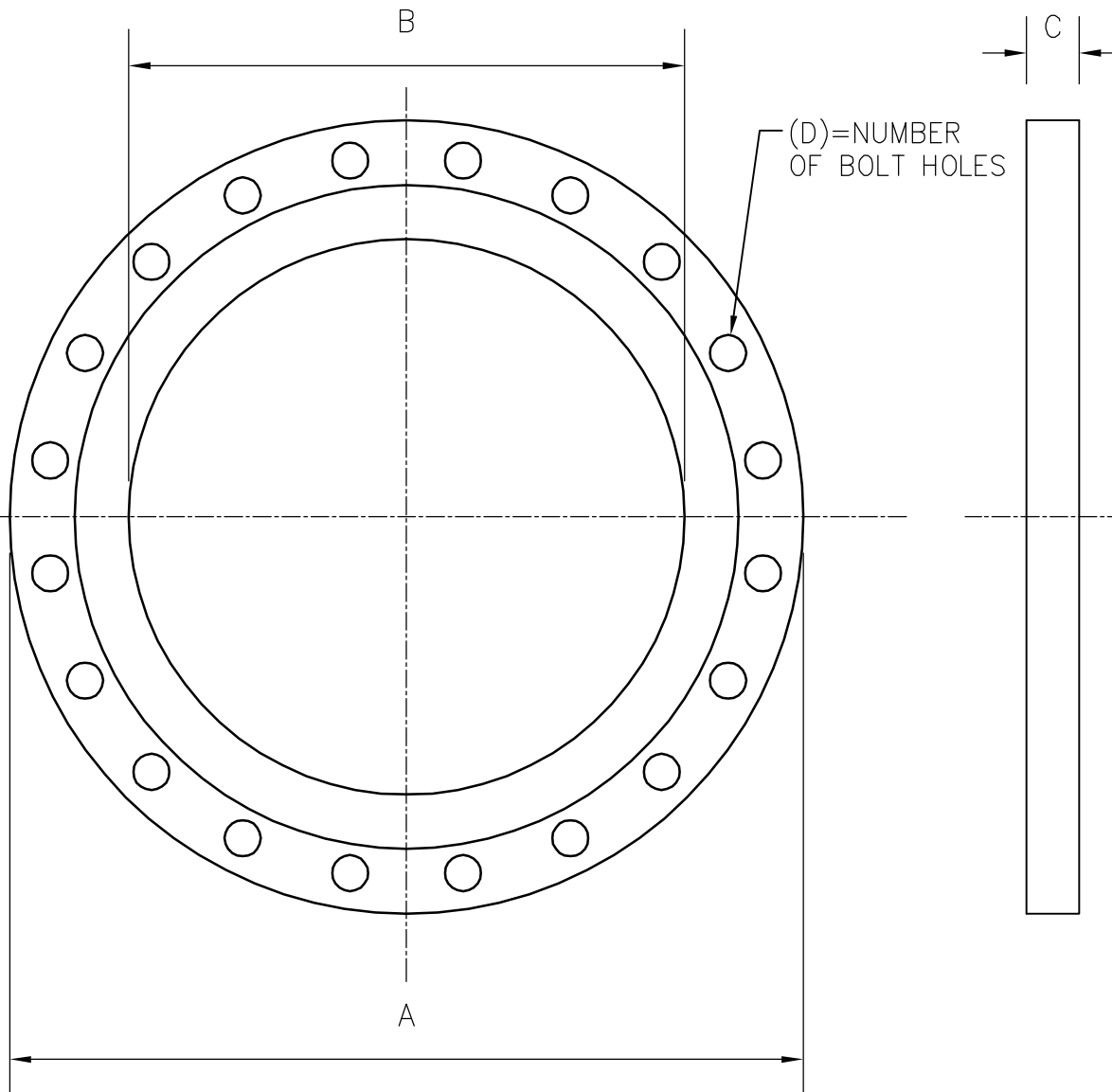
1. TOLERANCES +/- .25".
2. CLASS 200.
3. REF. "C" MINIMUM THICKNESS.
4. FITTINGS FROM SECOR APPROVED VENDORS.
  - IMPROVED PIPING
  - INDEPENDENT PIPE PRODUCTS
5. FOLLOW SECOR QUALITY PROCEDURES.
6. NOTIFY FM APPROVALS OF CHANGES.

# SECOR

17321 GROESCHKE ROAD HOUSTON, TX. 77084  
 PH. # 281-556-1661 FAX# 281-556-1683

BACK-UP RING D.I. (IPS)  
 CLASS 200

DATE:	DRAWN BY:	CHECKED BY:	DWG. NO.	REV.
2/22/10	CRAIG STEVENS	DAVID NIX	SEC-BUPP-200	B



**CONFIDENTIAL NOTICE / CONTROLLED DOCUMENT**

\*Dissemination of this information contained herein is prohibited\*