

DIMENSIONAL DATA

SIZE IPS	A TRUE O.D.	B	C	D
2	6.46	2.63	.71	4
3	7.72	3.75	.73	4
4	9.33	4.75	.98	8
6	11.69	7.09	1.18	8
8	13.94	8.88	1.34	8
10	16.73	11.00	1.52	12
12	19.57	13.19	2.01	12
14	21.34	14.38	2.05	12
16	23.90	16.38	2.44	16
18	25.51	18.38	2.44	16
20	27.99	20.38	2.68	20
22	30.31	22.38	3.19	20
24	32.52	24.38	3.19	20

NOTES

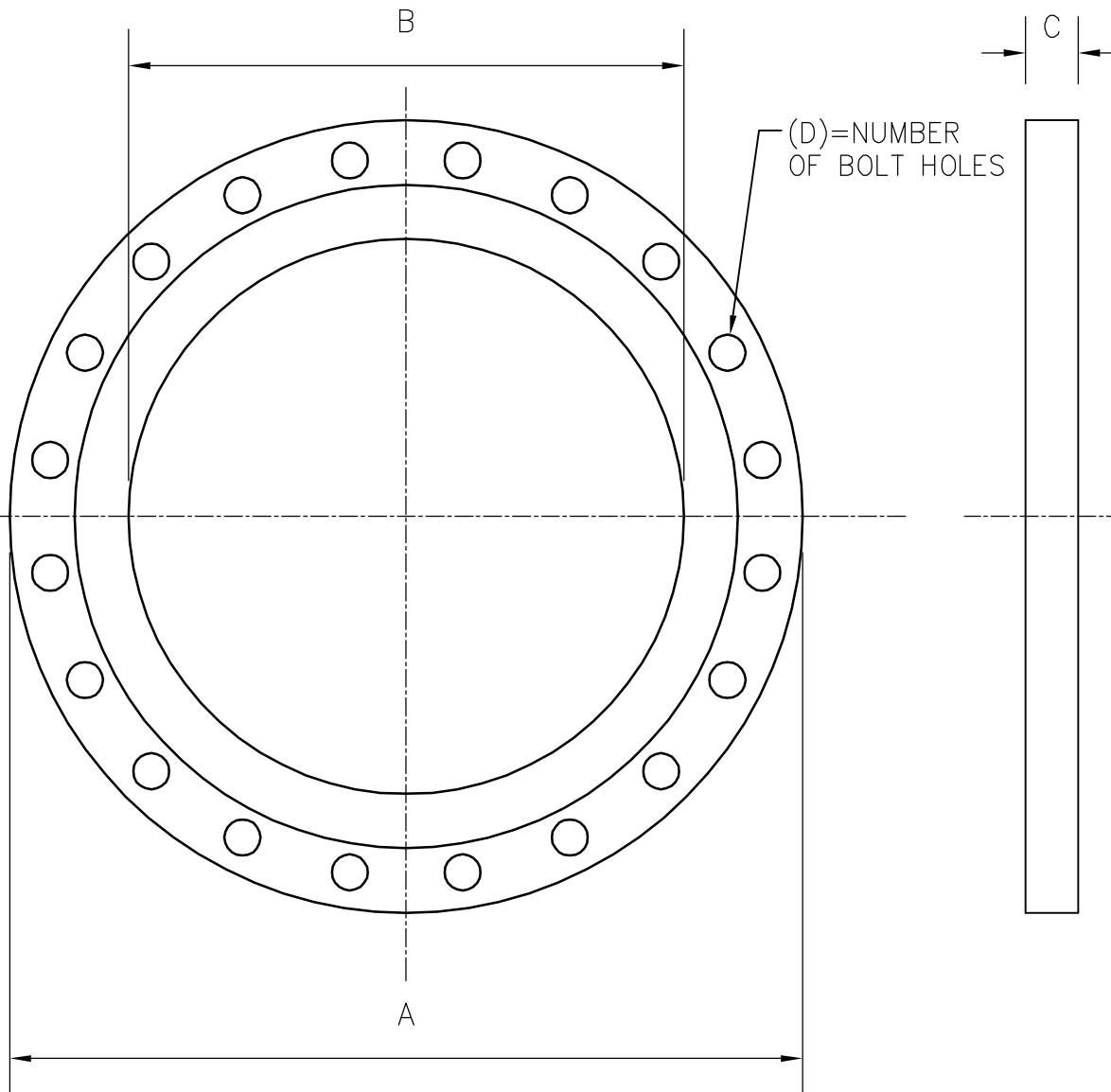
1. TOLERANCES +/- .25".
2. CLASS 200.
3. REF. "C" MINIMUM THICKNESS.
4. FITTINGS FROM SECOR APPROVED VENDORS.
 - IMPROVED PIPING
5. FOLLOW SECOR QUALITY PROCEDURES.
6. NOTIFY FM APPROVALS OF CHANGES.

SECOR

17321 GROESCHKE ROAD HOUSTON, TX. 77084
 PH. # 281-556-1661 FAX# 281-556-1683

BACK-UP RING PPDI (IPS)
 CLASS 200

DATE:	DRAWN BY:	CHECKED BY:	DWG. NO.	REV.
5/18/10	CRAIG STEVENS	DAVID NIX	SEC-BUFFPPDI-200	A



CONFIDENTIAL NOTICE / CONTROLLED DOCUMENT

Dissemination of this information contained herein is prohibited