

PIT BULL® 26

Fusion Capability for 2" IPS to 6" DIPS (63mm - 180mm)



Pit Bull 26

OVERVIEW

McElroy's line of Pit Bull® fusion machines are compact, lightweight and rugged. The Pit Bull 26 fuses pipe sizes from 2" IPS to 6" DIPS and 63mm to 180mm depending on the model. Both models come standard with a 6" IPS insert set.

The 26 incorporates McElroy's patented Centerline Guidance System, a semi-automatic locking cam system that maintains force during the cooling cycle, and the ability to fit on the Manual Fusion Machine Stand.

The 26 fusion unit has a greater mechanical advantage ratio than the popular Pit Bull 14, as well as an electric facer with balance point handle for fast facing of pipe.

Contractors and pipeliners that already own McElroy's PolyPorter™ and PolyHorse™ can enjoy the same benefits of the productivity-enhancing equipment with the new Pit Bull 26.

FEATURES

- Reversible jaws, clamp knobs, levers and facer allow operator to fuse from either side of the machine
- Thrust bearing equipped clamp knobs to minimize torque required to clamp and round the pipe
- 17-to-1 mechanical advantage
- Hard anodized aluminum wear surfaces for corrosion resistance
- Semi-automatic locking cam

041111

SPECIFICATIONS

CAPACITY

Fuses Pipe Sizes:..... 2" IPS – 6" DIPS (63mm – 180mm)

MODELS

A708502:..... 6" DIPS Machine with 100V-120V, 50/60Hz, 1 Phase Input Voltage Requirement

A708505:..... 6" DIPS Machine with 220V-240V, 50/60Hz, 1 Phase Input Voltage Requirement

A708504:..... 180mm Machine with 220V-240V, 50/60Hz, 1 Phase Input Voltage Requirement

POWER

Minimum Power Requirement:..... 3KVA, 2.5KW

Heater Power: 1,200 Watt

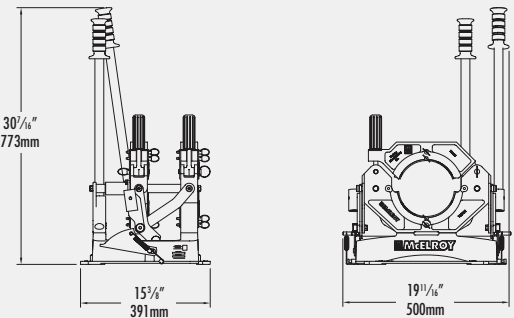
Facer Power: 0.5 HP, 7 Amp @ 120V / 1.6 HP, 5 Amp @ 240V

WEIGHT

Carriage:..... 50 lbs. (22.7 Kg)

Facer:..... 35 lbs. (15.9 Kg)

Heater:..... 14 lbs. (6.4 Kg)



PIT BULL 26

INCLUSIONS

Pit Bull 26s include fusion machine, facer, heater, insulated heater stand, facer stand, 6" IPS insert set and screw/driver kit. Specifications are subject to change without notice.



An operator uses a Pit Bull 26 as part of the 26 Productivity Package, which includes a Manual Fusion Machine Stand, 26 Fusion Machine, and two PolyPorters.

