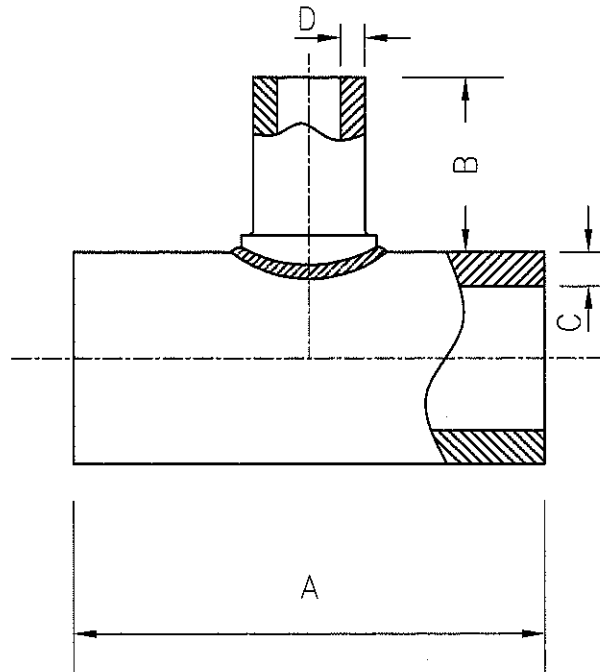


DIMENSIONAL DATA

SIZE	A	B	C MIN. WALL	D MIN. WALL
14X14X12	34.00	13.00	1.45	1.15
16X16X12	36.00	13.00	1.45	1.15
18X18X12	36.00	13.00	1.63	1.15
20X20X12	36.00	13.00	1.81	1.15
22X22X12	36.00	13.00	2.00	1.15
24X24X12	36.00	13.00	2.18	1.15



NOTES

- TOLERANCES +/- 2.0" FOR DIMENSION "A" & "B" ONLY.
- CLASS 150.
- REF. "C" & "D" MINIMUM WALL THICKNESS.
- USE SDR.11 PIPE.
- ENDS COUNTERBORED IF REQUESTED.
- USE APPROVED VENDORS FOR PIPE.
 - WL PLASTICS
 - INDEPENDENT PIPE
- USE APPROVED VENDORS FOR BRANCH SADDLES.
 - ISCO
- FOLLOW SECOR FUSION PROCEDURES.
- FOLLOW SECOR QUALITY PROCEDURES.
- NOTIFY FM APPROVALS OF CHANGES.
- CUSTOM DESIGN AVAILABLE.

SECOR

17321 GROESCHKE ROAD HOUSTON, TX. 77084
 PH. # 281-556-1661 FAX# 281-556-1683

BRANCH SADDLE REDUCING TEE
12" OUTLET (12.75)
CLASS 150

DATE:	DRAWN BY:	CHECKED BY:	DWG. NO.	REV.
6/19/10	CRAIG STEVENS	DAVID NIX	SEC-509-12-150	E

CUSTOM LENGTH "A": _____ CUSTOM LENGTH "B": _____

CONFIDENTIAL NOTICE / CONTROLLED DOCUMENT

Dissemination of this information contained herein is prohibited