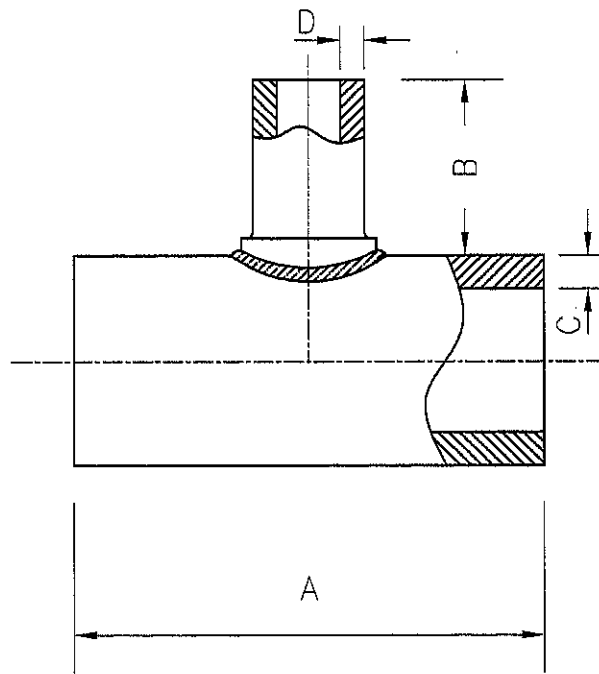


DIMENSIONAL DATA

| SIZE | A | B | C MIN. WALL | D MIN. WALL |
|---------|-------|------|----------------|----------------|
| 6X6X4 | 18.00 | 6.00 | .73 | .50 |
| 8X8X4 | 18.00 | 6.00 | .95 | .50 |
| 10X10X4 | 18.00 | 6.00 | 1.19 | .50 |
| 12X12X4 | 18.00 | 6.00 | 1.41 | .50 |
| 14X14X4 | 20.00 | 6.00 | 1.55 | .50 |
| 16X16X4 | 20.00 | 6.00 | 1.77 | .50 |
| 18X18X4 | 20.00 | 6.00 | 2.00 | .50 |
| 20X20X4 | 20.00 | 6.00 | 2.22 | .50 |
| 22X22X4 | 20.00 | 6.00 | 2.44 | .50 |
| 24X24X4 | 20.00 | 6.00 | 2.66 | .50 |



NOTES

- TOLERANCES +/- 2.0" FOR DIMENSION "A" & "B" ONLY.
- CLASS 200.
- REF. "C" & "D" MINIMUM WALL THICKNESS.
- USE SDR.9 PIPE.
- ENDS COUNTERBORED IF REQUESTED.
- USE APPROVED VENDORS FOR PIPE.
 - WL PLASTICS
 - INDEPENDENT PIPE
- USE APPROVED VENDORS FOR BRANCH SADDLES.
 - ISCO
- FOLLOW SECOR FUSION PROCEDURES.
- FOLLOW SECOR QUALITY PROCEDURES.
- NOTIFY FM APPROVALS OF CHANGES.
- CUSTOM DESIGN AVAILABLE.

SECOR

17321 GROESCHKE ROAD HOUSTON, TX. 77084
 PH. # 281-556-1661 FAX# 281-556-1683

BRANCH SADDLE REDUCING TEE
4" OUTLET (4.50)
CLASS 200

| DATE: | DRAWN BY: | CHECKED BY: | DWG. NO. | REV. |
|---------|---------------|-------------|---------------|------|
| 6/19/10 | CRAIG STEVENS | DAVID NIX | SEC-509-4-200 | E |

CUSTOM LENGTH "A": _____ CUSTOM LENGTH "B": _____

CONFIDENTIAL NOTICE / CONTROLLED DOCUMENT

Dissemination of this information contained herein is prohibited