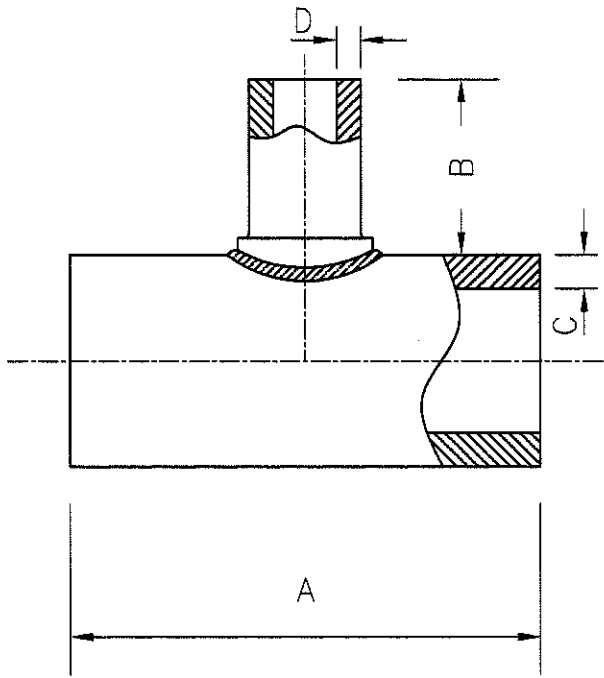


DIMENSIONAL DATA

SIZE	A	B	C MIN. WALL	D MIN. WALL
12X12X10	24.00	12.00	1.15	.97
14X14X10	30.00	12.00	1.27	.97
16X16X10	30.00	12.00	1.45	.97
18X18X10	30.00	12.00	1.63	.97
20X20X10	30.00	12.00	1.81	.97
22X22X10	30.00	12.00	2.00	.97
24X24X10	30.00	12.00	2.18	.97



NOTES

1. TOLERANCES +/- 2.0" FOR DIMENSION "A" & "B" ONLY.
2. CLASS 150.
3. REF. "C" & "D" MINIMUM WALL THICKNESS.
4. USE SDR.11 PIPE.
5. ENDS COUNTERBORED IF REQUESTED.
6. USE APPROVED VENDORS FOR PIPE.
 - WL PLASTICS
 - INDEPENDENT PIPE
7. USE APPROVED VENDORS FOR BRANCH SADDLES.
 - ISCO
8. FOLLOW SECOR FUSION PROCEDURES.
9. FOLLOW SECOR QUALITY PROCEDURES.
10. NOTIFY FM APPROVALS OF CHANGES.
11. CUSTOM DESIGN AVAILABLE.

SECOR

17321 GROESCHKE ROAD HOUSTON, TX. 77084
 PH. # 281-556-1661 FAX# 281-556-1683

BRANCH SADDLE REDUCING TEE
10" OUTLET (10.75)
CLASS 150

DATE:	DRAWN BY:	CHECKED BY:	DWG. NO.	REV.
6/19/10	CRAIG STEVENS	DAVID NIX	SEC-509-10-150	E

CUSTOM LENGTH "A": _____ CUSTOM LENGTH "B": _____

CONFIDENTIAL NOTICE / CONTROLLED DOCUMENT

Dissemination of this information contained herein is prohibited