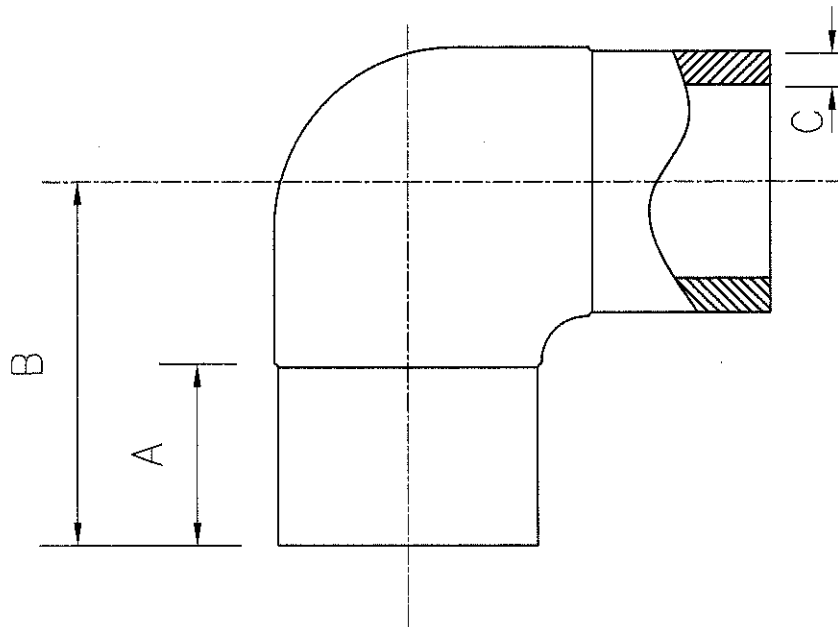


DIMENSIONAL DATA

SIZE IPS	TRUE O.D.	A	B	C MIN. WALL
2	2.375	2.50	4.50	.21
3	3.50	3.00	5.25	.31
4	4.50	3.00	5.75	.40
6	6.625	4.50	9.00	.60
8	8.625	6.00	12.00	.78



NOTES

1. TOLERANCES +/- 2.0" FOR DIMENSION "A" & "B" ONLY.
2. CLASS 150 DR.11
3. REF. "C" MINIMUM WALL THICKNESS.
4. MOLDED FITTINGS FROM SECOR APPROVED VENDORS.
 - CENTRAL PLASTICS
5. FOLLOW SECOR QUALITY PROCEDURES.
6. NOTIFY FM APPROVALS OF CHANGES.

CUSTOM LENGTH "A": _____ CUSTOM LENGTH "B": _____

CONFIDENTIAL NOTICE / CONTROLLED DOCUMENT

Dissemination of this information contained herein is prohibited

SECOR

17321 GROESCHKE ROAD HOUSTON, TX. 77084
PH. # 281-556-1661 FAX# 281-556-1683

ELL. MOLDED 90°
CLASS 150

DATE:	DRAWN BY:	CHECKED BY:	DWG. NO.	REV.
6/19/10	CRAIG STEVENS	DAVID NIX	SEC-512-150	E