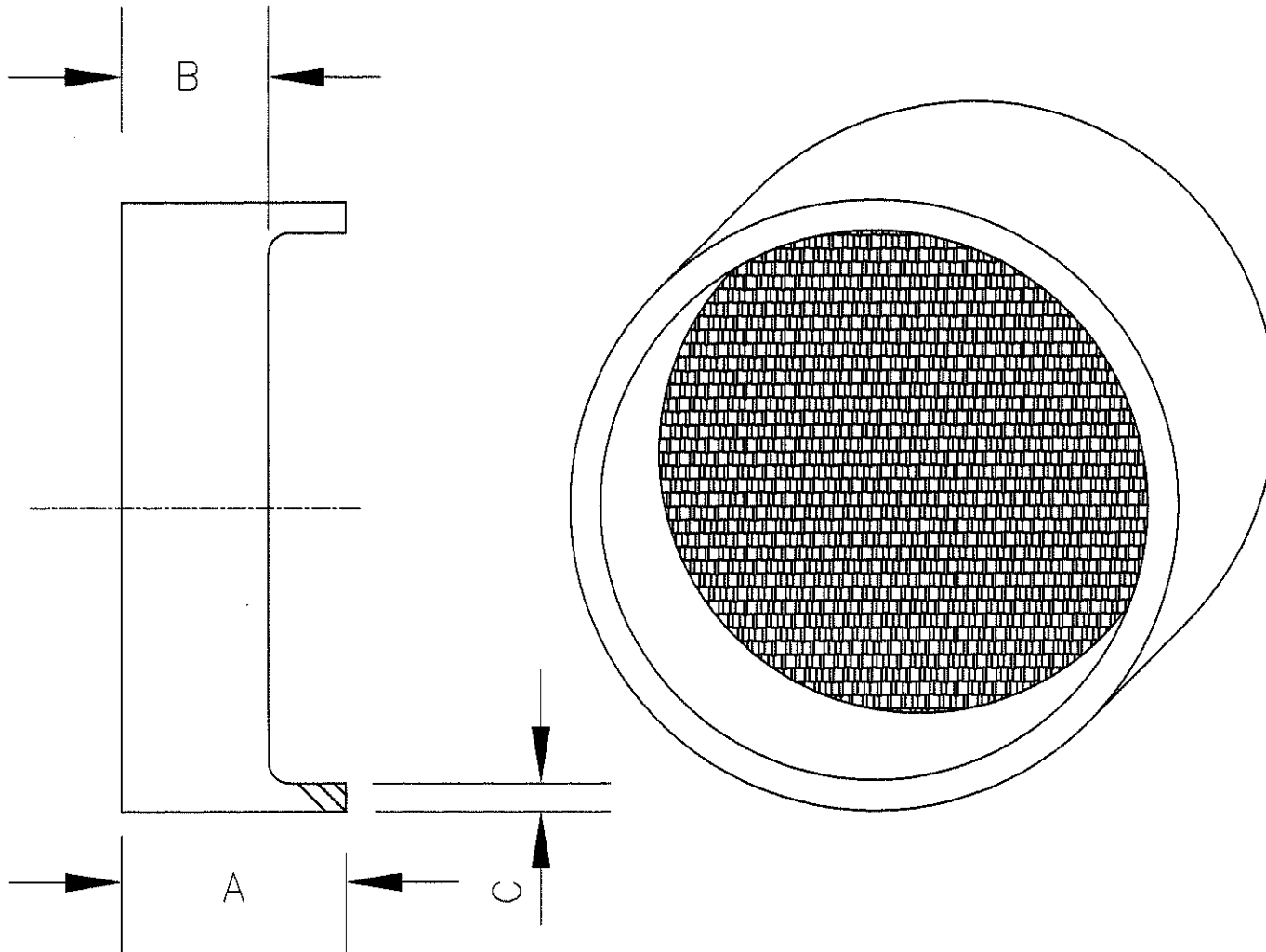


DIMENSIONAL DATA

SIZE IPS	TRUE O.D.	A	B	C MIN. WALL
8	8.625	4.75	2.12	.78
10	10.75	4.00	3.87	.97
12	12.75	4.00	3.00	1.15
14	14	5.00	3.25	1.27
16	16	5.00	3.25	1.45
18	18	6.00	4.25	1.63
20	20	6.00	5.00	1.81
22	22	6.00	5.00	2.00
24	24	6.50	5.50	2.18



NOTES

1. TOLERANCES +/- 2.0" FOR DIMENSION "A"+"B" ONLY.
2. CLASS 150.
3. DR.11 RATED.
4. REF. "C" MINIMUM WALL THICKNESS.
5. FITTINGS FROM SECOR APPROVED VENDORS.
 - INDEPENDENT PIPE
 - ISCO
6. FOLLOW SECOR QUALITY PROCEDURES.
7. NOTIFY FM APPROVALS OF CHANGES.
8. CUSTOM DESIGN AVAILABLE.

CUSTOM LENGTH "A": _____

CONFIDENTIAL NOTICE / CONTROLLED DOCUMENT

Dissemination of this information contained herein is prohibited

SECOR

17321 GROESCHKE ROAD HOUSTON, TX. 77084
PH. # 281-556-1661 FAX# 281-556-1683

**FLAT/MACHINED END CAPS
CLASS 150**

DATE:	DRAWN BY:	CHECKED BY:	DWG. NO.	REV.
6/19/10	CRAIG STEVENS	DAVID NIX	SEC-515-FL/M-150	E