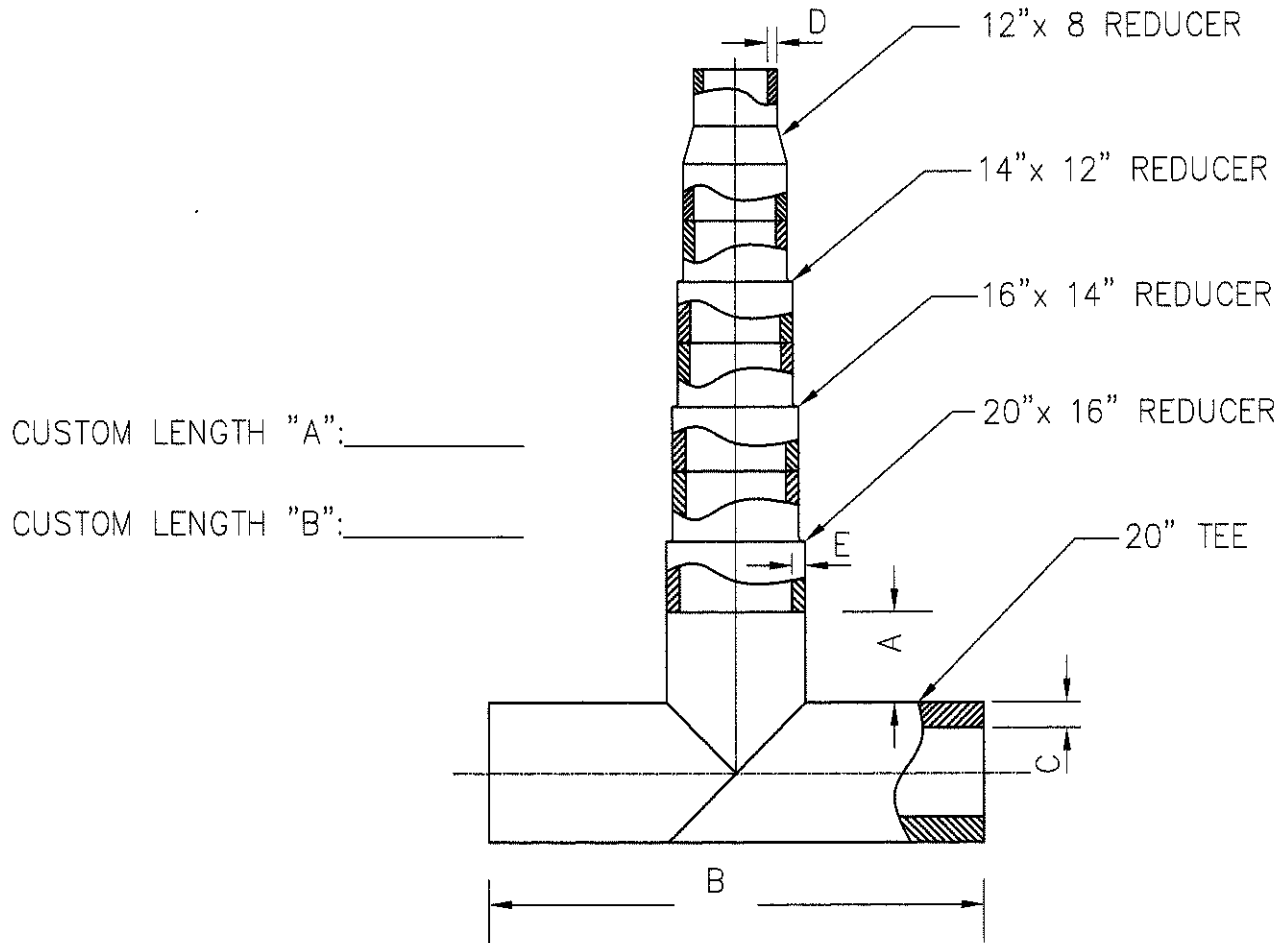


**DIMENSIONAL DATA**

SIZE IPS	TRUE O.D.	A	B	C MIN. WALL	D MIN. WALL	E MIN. WALL
20x8	20.00	12.00	40.00	2.86	.96	2.22



**NOTES**

1. TOLERANCES +/- 5.0" FOR DIMENSION "A" & "B" ONLY.
2. ANGLE TOLERANCES +/- 2.0'.
3. CLASS 200 - SDR.9 RATED.
4. REF. "C, D, & E" MINIMUM WALL THICKNESS.
5. USE SDR.7 PIPE, SDR.9 REDUCERS.
6. ENDS COUNTERBORED IF REQUESTED.
7. USE APPROVED VENDORS.
  - WL
  - INDEPENDENT PIPE
8. FOLLOW SECOR FUSION PROCEDURES.
9. FOLLOW SECOR QUALITY PROCEDURES.
10. NOTIFY FM APPROVALS OF CHANGES.
11. CUSTOM DESIGN AVAILABLE.

**SECOR**

17321 GROESCHKE ROAD HOUSTON, TX. 77084  
 PH. # 281-556-1661 FAX# 281-556-1683

20 x 8 REDUCING TEE  
 CLASS 200

**CONFIDENTIAL NOTICE / CONTROLLED DOCUMENT**

\*Dissemination of this information contained herein is prohibited\*

DATE:	DRAWN BY:	CHECKED BY:	DWG. NO.	REV.
6/19/10	CRAIG STEVENS	DAVID NIX	SEC-513-20/8-200	B