

AMERICAN AVK RESILIENT SEATED GATE VALVE, 250 PSI

66/EEN

Meets AWWA C515 where applicable (NRS)

PExPE

- DIPS & IPS Polyethylene Pipe Ends - Valve Sizes 2" through 12"

Use:

For water and neutral liquids to maximum 160°F.

Tests:

Hydraulic test to AWWA C515:

Shell Test: 500 PSI

Seat Test: 250 PSI

Operating Torque Test

Optional Materials:

Stem Bronze

Anti Friction Washers Polyamide - W/ Bronze stem only

Bolts Stainless Steel - 316

Pipe 2"- 3"
SDR 9, SDR 11, SDR 13.5, SDR 17
4"-12"
SDR 9, SDR 11, SDR 13.5
DIPS or IPS. Suitable for butt fusion or electro fusion joining. Pipe stubs to AWWA C906.
Specify IPS or DIPS, and SDR when placing order.

Standard Materials:

Body, Gland Flange Ductile iron ASTM A536
Bonnet

Coating Electrostatically applied fusion-bonded epoxy-resin

Wrench Nut Ductile iron ASTM A536
- painted black for open left, red for open right.

Stem Standard: Stainless steel ASTM A582

Wedge Ductile iron ASTM A536 encapsulated with EPDM-rubber compound

Wedge Nut, Thrust Collar Bronze

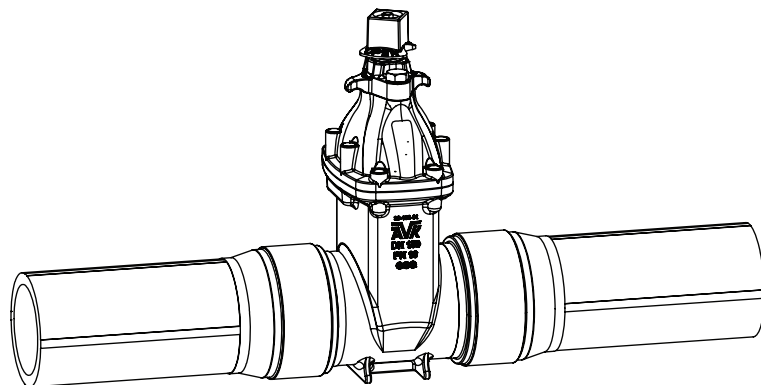
Bolts Stainless Steel -304 sealed with hot melt

Bonnet Gasket, Wiper Ring, O-Ring Stem Seals, O-Ring Gland Seal ASTM D2000 Buna "N" nitrile rubber

Pipe PE 3408 or PE 4710. Suitable for butt fusion or electro fusion joining. Pipe stubs to AWWA C906

Approvals:

Certified to:
ANSI/NSF 61, ANSI/NSF 372

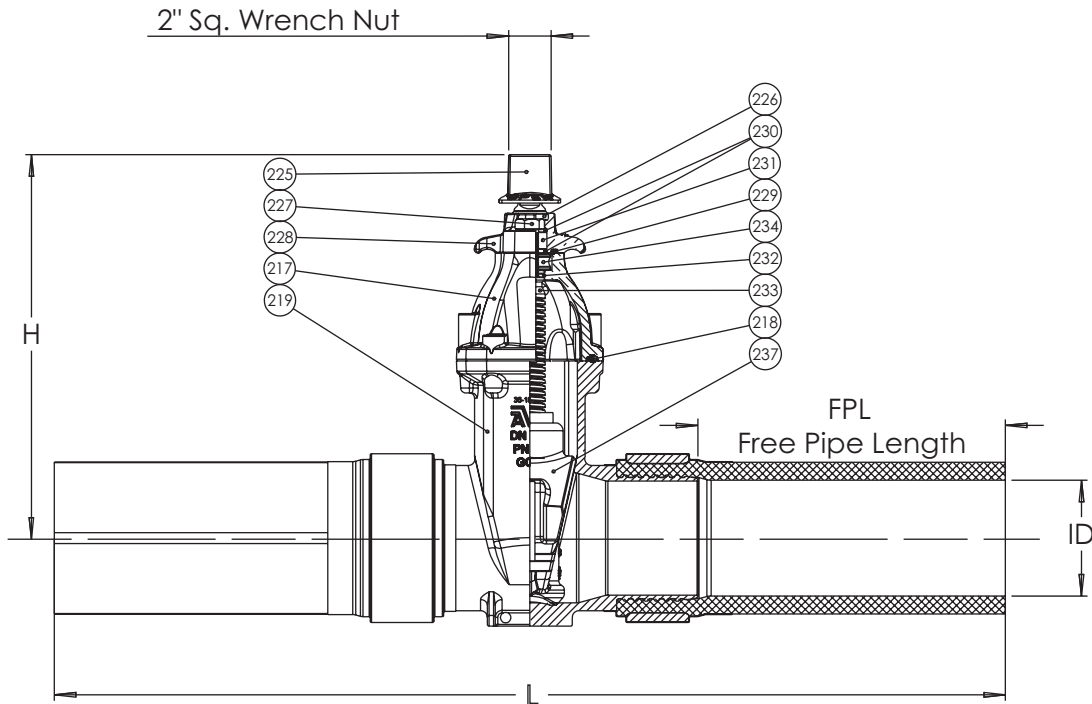


AMERICAN AVK RESILIENT SEATED GATE VALVE, 250 PSI
Meets AWWA C515 where applicable (NRS)
- DIPS & IPS Polyethylene Pipe Ends - Valve Sizes 2" through 12"

66/EEN
PEXPE

Component List:

- | | | |
|--------------------|------------------------------|-----------------------------|
| 217. Bonnet | 227. Gland Flange Bolt | 232. Lower Stem Seal O-Ring |
| 218. Bonnet Gasket | 228. Gland Flange | 233. NRS Stem |
| 219. Body | 229. Gland O-Ring | 234. Thrust Collar |
| 225. Wrench Nut | 230. Upper Stem Seal O-Rings | 237. Wedge |
| 226. Wiper Ring | 231. Stem Seal Bushing | |



Ref. nos.	Size	H	L	FPL Free Pipe Length	Turns to open	Wt. Lbs.
66-050-EEN	2"	10.50"	19.50"	5.10"	11	20
66-080-EEN	3"	12.09"	19.75"	5.20"	12	36
66-100-EEN	4"	13.50"	41.93"	14.92"	14	56
66-150-EEN	6"	17.50"	43.35"	14.00"	21	114
66-200-EEN	8"	21.50"	44.06"	13.04"	26	175
66-250-EEN	10"	24.75"	44.96"	11.25"	32	227
66-300-EEN	12"	27.63"	47.09"	11.14"	38	335

ID*: Refer to Pipe Manufacturers reference tables