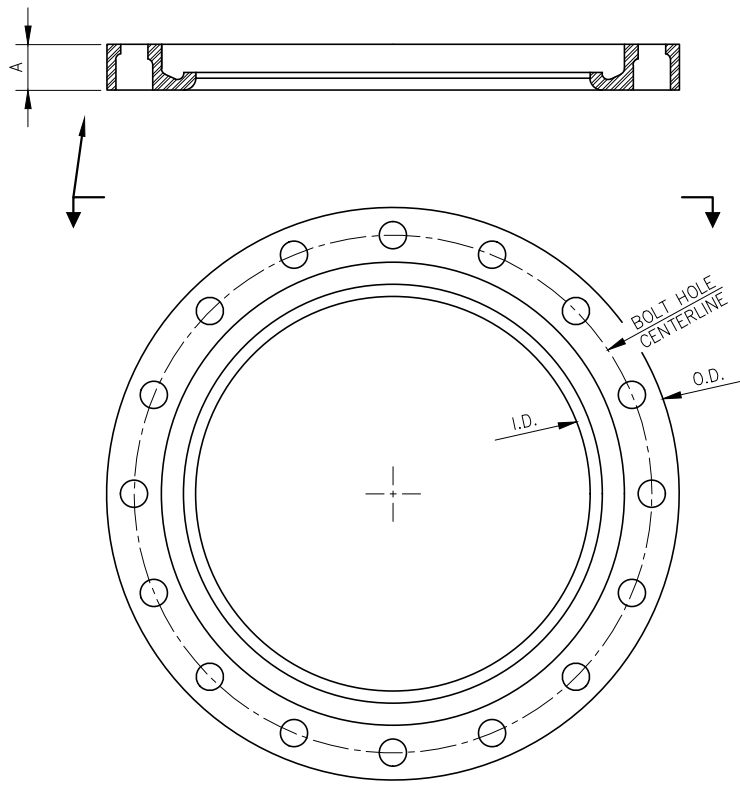


DIMENSIONS			
SIZE DIPS	BOLT COUNT	BOLT HOLE SIZE	BOLT HOLE CENTERLINE
4	8	0.750	7.50
6	8	0.880	9.50
8	8	0.880	11.75
10	12	1.000	14.25
12	12	1.000	17.00
14	12	1.130	18.75
16	16	1.130	21.25
18	16	1.250	22.75
20	20	1.250	25.00
22	-	-	-
24	20	1.38	29.50
30	-	-	-
36	-	-	-
42	-	-	-
48	-	-	-



DUCTILE IRON BACKING RING
SCALE: NTS

DIMENSIONS					
SIZE DIPS	O.D.	I.D.		A	
		SDR9	SDR11	SDR9	SDR11
4	9.00	4.90	-	0.94	-
6	11.00	7.00	-	1.00	-
8	13.50	9.13	-	1.12	-
10	16.00	11.25	-	1.19	-
12	19.00	13.37	-	1.50	-
14	21.00	-	15.48	-	1.63
16	23.50	-	17.59	-	1.88
18	25.00	-	19.70	-	1.75
20	27.50	-	21.85	-	2.06
22	-	-	-	-	-
24	32.00	-	26.05	-	2.13
30	-	-	-	-	-
36	-	-	-	-	-
42	-	-	-	-	-
48	-	-	-	-	-

NOTES

1. DUCTILE IRON, ASTM A536, 65/45/12.
2. CLASS 150, MATES WITH ANSI B16.5 AND AWWA C207.
3. PRESSURE RATED FOR NATURAL GAS AND POTABLE WATER.
4. DIMENSIONAL TOLERANCE: +/- 2".
5. ANGLE TOLERANCES: +/- 2.0°.

A	ISSUED FOR CLIENT REVIEW	-	CMG
REV	DESCRIPTION	DATE	NAME
SECOR			
17321 GROESCHKE ROAD HOUSTON, TX. 77084 PH.# 281-556-1661 FAX# 281-556-1683			
CONFIDENTIAL NOTICE / CONTROLLED DOCUMENT *Dissemination of this information contained herein is prohibited*			
TITLE:		SECOR DIPS MOLDED FITTING DUCTILE IRON BACKING RING	
DATE	DRAWN BY	CHECKED BY	DRAWING NO. REV
10/15/20	CMG	-	- A