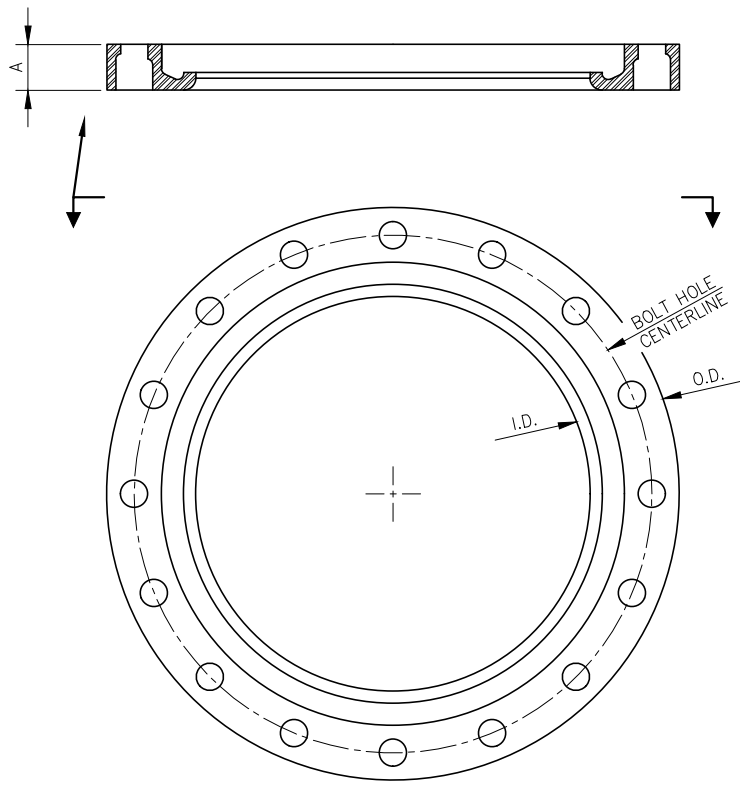


DIMENSIONS			
SIZE IPS	BOLT COUNT	BOLT HOLE SIZE	BOLT HOLE CENTERLINE
4	8	0.750	7.50
6	8	0.875	9.50
8	8	0.875	11.75
10	12	1.000	14.25
12	12	1.000	17.00
14	12	1.125	18.75
16	16	1.125	21.25
18	16	1.250	22.75
20	20	1.250	25.00
22	20	1.375	27.25
24	20	1.375	29.50
30	28	1.375	36.00
36	32	1.630	42.75
42	36	1.630	49.50
48	44	1.630	56.00



DUCTILE IRON BACKING RING
SCALE: NTS

DIMENSIONS					
SIZE IPS	O.D.	I.D.		A	
		SDR7	SDR11	SDR7	SDR11
4	9.00	4.60	4.75	0.94	0.55
6	11.00	6.75	6.88	1.00	0.63
8	13.50	8.75	8.88	1.12	0.85
10	16.00	10.92	11.00	1.19	0.98
12	19.00	12.92	13.13	1.50	1.25
14	21.00	14.18	14.38	1.63	1.38
16	23.50	16.19	16.38	1.88	1.65
18	25.00	18.20	18.38	1.90	1.67
20	27.50	20.38	20.38	2.13	1.81
22	29.50	22.38	22.38	2.30	2.00
24	32.00	24.38	24.38	2.50	2.17
30	38.75	30.38	30.38	DR9/2.80	2.60
36	46.00	36.38	36.38	DR9/3.80	3.03
42	53.00	-	42.38	-	4.06
48	59.50	-	48.50	-	4.53

NOTES

1. DUCTILE IRON, ASTM A536, 65/45/12.
2. CLASS 150, MATES WITH ANSI B16.5 AND AWWA C207.
3. PRESSURE RATED FOR NATURAL GAS AND POTABLE WATER.
4. DIMENSIONAL TOLERANCE: +/- 2".
5. ANGLE TOLERANCES: +/- 2.0°.

A	ISSUED FOR CLIENT REVIEW	-	CMG
REV	DESCRIPTION	DATE	NAME
SECOR			
17321 GROESCHKE ROAD HOUSTON, TX. 77084 PH.# 281-556-1661 FAX# 281-556-1683			
CONFIDENTIAL NOTICE / CONTROLLED DOCUMENT *Dissemination of this information contained herein is prohibited*			
TITLE:		SECOR IPS MOLDED FITTING DUCTILE IRON BACKING RING	
DATE	DRAWN BY	CHECKED BY	DRAWING NO. REV
10/15/20	CMG	-	- A